



TV & Satellite Socket Outlets



The smooth modern lines of the MODE accessory plate will fit easily into traditional and contemporary designs alike.

MODE TV and Satellite outlets are designed to fit effortlessly with the range, with simple installation to enhance the décor of any area.

TV & Satellite Socket Outlets

Product Range

Non-Isolated Coaxial & Satellite Socket Outlets (Unshielded)

CMA065	Single Non-Isolated Coaxial Socket Outlet
CMA066	Twin Non-Isolated Coaxial Socket Outlet
CMA156	Single Non-Isolated Satellite Socket Outlet
CMA170	Non-Isolated Satellite & Non-Isolated Coaxial Socket Outlet

Isolated Coaxial & Satellite Socket Outlets (Unshielded)

CMA157	Isolated Satellite & Isolated Coaxial Socket Outlet
CMA158	Single Isolated Coaxial Socket Outlet
CMA159	Twin Isolated Coaxial Socket Outlet



CMA065



CMA066



CMA156



CMA170



CMA157



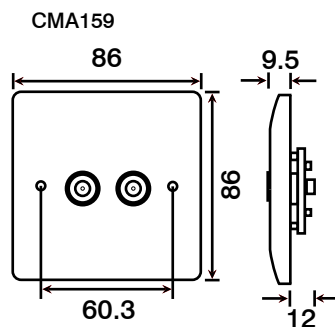
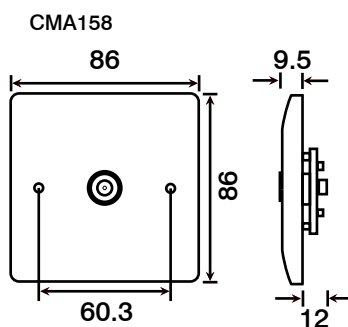
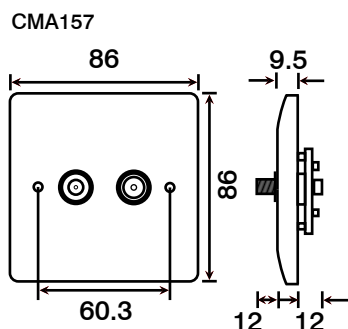
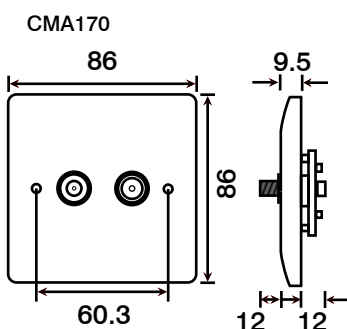
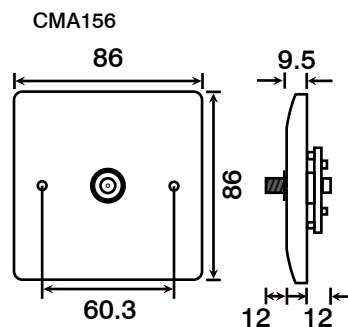
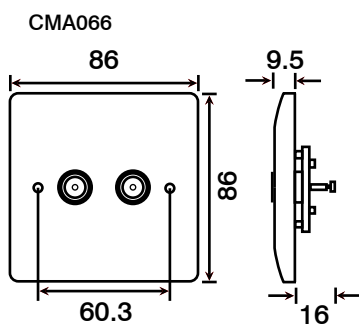
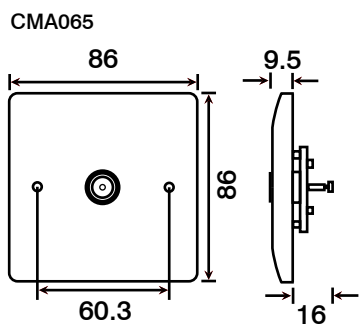
CMA158



CMA159

TV & Satellite Socket Outlets

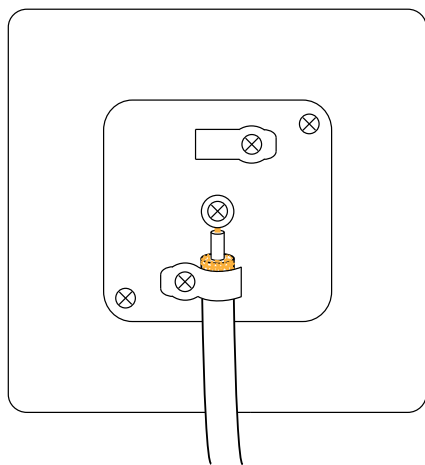
Product Dimensional Drawings (mm)



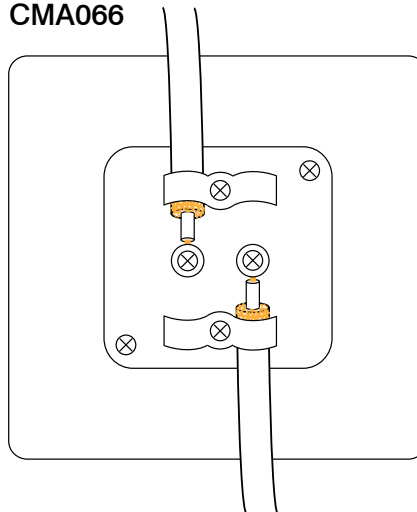
TV & Satellite Socket Outlets

Product Wiring Diagrams

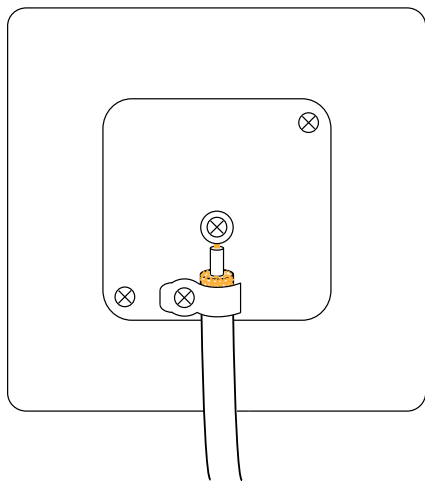
CMA065



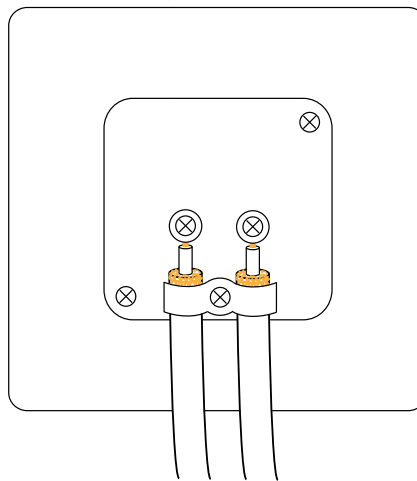
CMA066



CMA156, CMA158



CMA157, CMA159, CMA170



TV & Satellite Socket Outlets

Technical Specification

Telephone and Data Sockets

Material Composition	Front Plate: Urea
Back Box Depth	16mm - 47mm
Warranty	20 Years
Anti Microbial Certified	Yes
IP Rating	IP20
Operational Temperature	-5° to +40°C
Standards	The Low Voltage Directive 2006/95/EC BS 5733:1995 (where applicable) Modified ISO 22196

Additional Information

Non-Isolated: Direct connection to aerial where two way signal is required i.e. Receiver/Decoders.

Isolated: Incoming signal is allowed to pass through from the aerial but the return signal is blocked i.e. communal dish or aerials.

Screened: Connections in the plate are protected from external interferences.

All white moulded accessories are manufactured using Urea Formaldehyde, which has similar inherent properties to antimicrobial additives that inhibit the growth of infectious diseases. All products were independently tested and achieved a 99.9% kill rate across all four types of the strains of bacteria - MRSA, E-Coli, Salmonella, and Klebsiella Pneumoniae.

CLICK[®] MODE

DECLARATION OF CONFORMITY

1. *Issuer Name* Scolmore International Limited
2. *Issuer Address* 1 Scolmore Park, Landsberg,
Lichfield Road Industrial Estate,
Tamworth, Staffordshire, B79 7XB
3. *Object(s) of Declaration* Mode Range
 - a. *Group* Television & Satellite Socket Outlets
 - b. *Model No.* CMA065, CMA066, CMA156, CMA157, CMA158, CMA159, CMA170

4. *The object of the declaration described above is in conformity with the requirements of the following Legislations:*

Document No	Title
2006/95/EC	Low Voltage Directive

5. *All products contained within the aforementioned comply with the relevant standards and requirements listed below.*

BS 5733 : 1995 (where applicable)

6. *I hereby declare that the equipment named above has been designed to comply with the relevant sections of the above referenced specifications. The unit complies with all applicable Essential Requirements of the Directives.*

In conjunction with the above all manufacture and process controls are in accordance with ISO 9001:2008

Signed, for and on behalf of: Scolmore International Limited



Steven Bettson BSc - Senior Technical Support Engineer

CE 13